



2.1 Channel Sound Bar with Wireless Subwoofer

Instruction Manual

L21WSB17

12 Month Manufacturer's Warranty

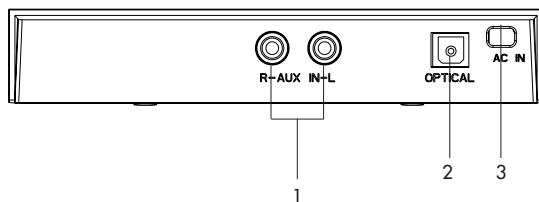
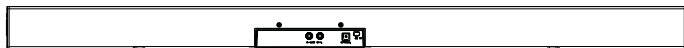


Table of Contents

Sound Bar Overview	2
Subwoofer Overview	4
Remote Control Overview	5
Important Safety Instructions	6
Caring for the Environment	10
Contents in the Box	11
Basic Set up Guide	12
Input Source Display	13
Connection Overview	14
Wireless Subwoofer	16
Making an Optical Connection	18
Making an AUX (L/R) Connection	18
Making a USB Connection	18
Making a Bluetooth Connection	19
Making a LINE IN Connection	20
Troubleshooting	21
Technical Specifications	23

Sound Bar Overview

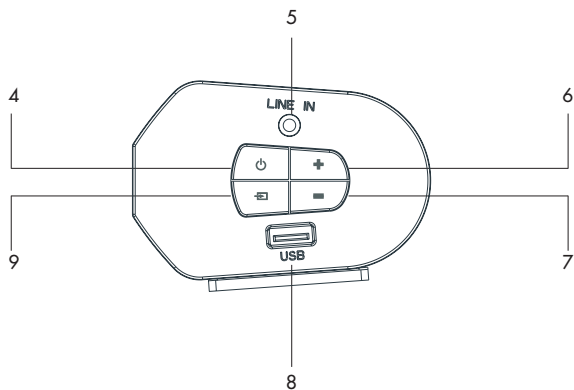
Back



1. AUX (L/R) input
2. Optical Input
3. AC In

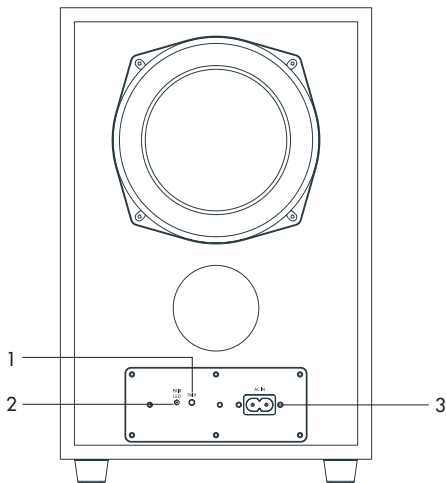
Sound Bar Overview

Side



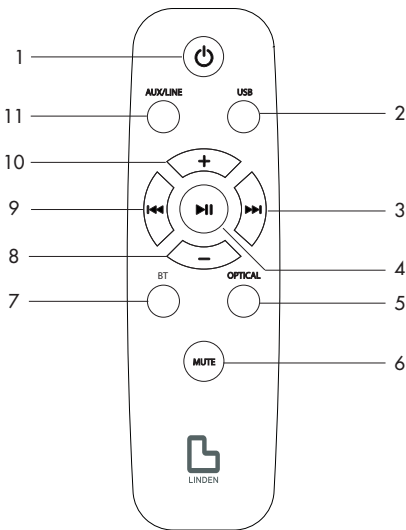
4. Power Button
5. Line in (3.5mm) input
6. Volume Control Up
7. Volume Control Down
8. USB input
9. Source: USB, Bluetooth, Optical, AUX, Line In,

Subwoofer Overview



1. Pair Button: To wirelessly pair your subwoofer and sound bar
2. Pair LED: Indicates pairing state.
If the LED is flashing blue, it is searching a connection to the sound bar.
A steady blue indicates that a connection to the sound bar has been established.
3. AC In

Remote Control Overview



1. Power Button: Turn your sound bar on or put into Standby Mode
2. USB: Select USB input source
3. Next: Proceed to next track
4. Pause/Play: Play or pause a track
5. Optical: Select Optical input source
6. Mute: Mute the volume
7. BT: Select Bluetooth input source
8. Volume Down: Decrease volume level
9. Previous: Proceed to previous track
10. Volume Up: Increase volume level
11. AUX Line: Select AUX or Line in input source

Important Safety Instructions

1. Read, keep and follow this Instruction Manual, ensuring to heed all warnings.
2. Keep out of reach of young children. This sound bar is not suitable for use by young children or infirm persons without supervision. Young children must be supervised to ensure that they do not play with the sound bar.
3. This sound bar with subwoofer is not intended for use by persons (including young children) with reduced physical, sensory or mental capabilities, or lack of experience and knowledge, unless they are supervised or have been given instructions concerning the use of the sound bar by a person who is responsible for their safety.
4. Ensure that the sound bar and subwoofer is positioned in a stable location to avoid the risk of the Sound bar or subwoofer falling or falling over. Many injuries, particularly to children, can be avoided by taking simple precautions such as:
 - Using a stable and appropriately size table or cabinet to place your sound bar and /or subwoofer
 - Ensuring your sound bar is positioned well away from the edge of your table or cabinet.
5. **WARNING!** Do not insert any objects into any openings of the Sound Bar or Subwoofer.
6. **WARNING!** Do not use this sound bar or subwoofer near water, or in an area exposed to water splashes or dripping. To avoid the risk of fire or electric shock, do not expose this sound bar or subwoofer to rain and/or moisture.

7. **WARNING!** Do not place objects filled with liquid, such as vases, on or above the sound bar or subwoofer.
8. **WARNING!** This sound bar and subwoofer can produce sound that may damage your hearing at excessive volumes. Please ensure you distance others and yourself when using.
9. **DO NOT** immerse in any liquid whilst in use or whilst cleaning. Clean only with a damp cloth and dry with a dry towel. Do not use harsh abrasives as these may damage plastic parts.
10. **DO NOT** block ventilation openings. Keep away from curtains, newspapers and restricted areas. Install in accordance with specific manufacturer instructions. Always allow sufficient space around the sound bar to avoid overheating.
11. **DO NOT** install near heat sources such as radiators, gas heaters, stoves or other apparatus (including amplifiers) that produce heat. Do not place the sound bar in direct sunlight.
12. **WARNING!** Do not place naked flame sources, such as lit candles, on the sound bar and/or subwoofer.
13. **WARNING!** Connect to a suitable 100-240V ~ 50/60 Hz power supply only.
14. Use the power cord with care - do not damage the power cord in any way. If the power cord is damaged, it must be replaced by either the manufacturer, the manufacturer's service agent or qualified service personnel. The power cord must be replaced only with an authorised replacement from an authorised service agent.

15. Only use attachments/accessories specified by the manufacturer.
16. Unplug this sound bar and subwoofer during lightning storms or when unused for long periods of time.
17. Please consider the environment when disposing of any batteries.
18. Refer all servicing to qualified personnel. Servicing is required when the apparatus has been damaged in any way, such as when the power supply cord or plug is damaged, liquid has been spilled or objects have fallen into the apparatus, the apparatus has been exposed to rain or moisture, does not operate normally, or has been dropped.
19. WARNING! Do not use the sound bar and/or subwoofer outdoors.
20. For household use only; this sound bar and subwoofer is not intended for commercial use.
21. This sound bar is intended to be used in household and similar applications such as;
 - offices and other working environments;
 - by clients in hotels, motels, bed and breakfast and other residential type environments.
22. If this apparatus is to be used by a third party, please supply these instructions with it.
23. No liability will be accepted for any personal injury or damage caused by failure to follow these instructions.

24. Danger of explosion if battery is incorrectly replaced. Replace only with the same or equivalent type.
25. Batteries (battery pack or batteries installed) shall not be exposed to excessive heat such as sunshine, fire or the like.
26. The mains plug is used as the disconnect device, the disconnect device shall remain readily operable.

Caring for the Environment

Responsible Disposal of Packaging

The packaging of your Sound Bar has been selected from environmentally friendly materials and can usually be recycled. Please ensure the packaging is disposed of correctly. Plastic wrap can be a suffocation hazard for babies and young children, so please ensure packaging materials are out of reach and are safely disposed of, and are recycled where possible.

Responsible Disposal of Appliances

At the end of its working life, do not throw out this Sound bar with your household rubbish. An environmentally friendly method of disposal will ensure that valuable raw materials can be recovered and used again. Electrical and electronic appliances contain materials and substances which, if handled or disposed of incorrectly, could be potentially hazardous on the environment and human health.

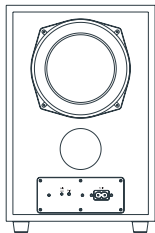
Observe any local regulations regarding the disposal of electrical consumer goods and dispose of it appropriately for recycling. Contact your local authorities for advice on recycling facilities in your area. The plug must be rendered useless and the cable cut off directly behind the sound bar to prevent misuse.

Contents in the Box

Check that you have been supplied with the following:



2.1CH Sound Bar



Wireless Subwoofer



User Manual



Remote Control



L/R to L/R Audio Cable

Basic Setup Guide

Position and Placement

Make sure that you place your sound bar on supporting furniture that can bear its weight. Please ensure the furniture underneath the sound bar fully supports its size. Please ensure the sound bar is not over hanging or close to edges of furniture. Do not expose the sound bar near water, fire places and/or heating apparatuses such as heaters, candles, lighting etc.

Connecting the Power

Plug the power lead into your nearest power outlet. For your safety, we recommend using a power outlet with a power surge protector.

Turning your Sound Bar On

Press the power button on the remote control or power button on the end cap of the sound bar to turn your sound bar on.

Input Source Display

Press the appropriate source button on your remote control or repeatedly press the source button on the sound bars end cap to select your desired source. Your desired sources will be displayed as below:

A.IN AUX (L / R) Input (Rear Panel)

LINE 3.5mm Line input (End Cap)

USB USB Input (End Cap)

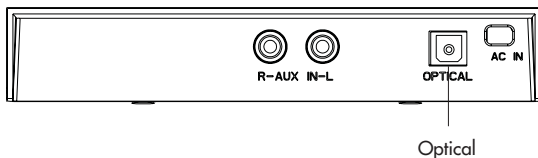
BT Bluetooth Mode

OPT Optical input

Connection Overview

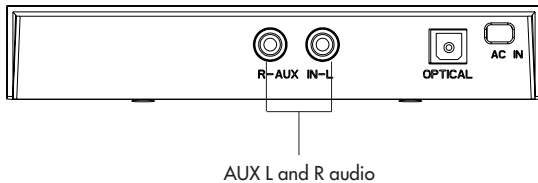
Optical

Press the OPTICAL button on your remote control or press the SOURCE button on the end cap of your sound bar to select OPT (Optical)



AUX (L and R audio)

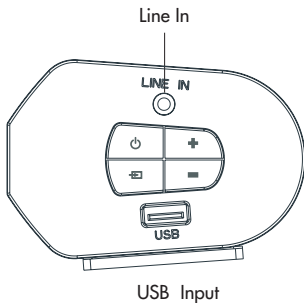
Press the AUX/LINE button on your remote control or press the SOURCE button on the end cap of your sound bar to select AUX.



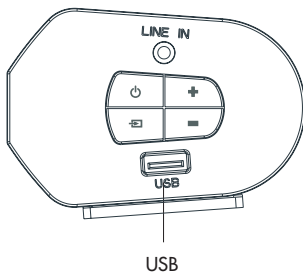
Connection Overview

Line Input (3.5mm)

Press the AUX/LINE button on your remote control or press the SOURCE button on the end cap of your sound bar to select LINE IN.



Press the USB button on your remote control or press the SOURCE button on the end cap of your sound bar to select USB.



Connection Overview

Bluetooth Connection (Wireless)

Press the BT button on your remote control or press the SOURCE button on the end cap of your sound bar to select BT (Bluetooth).

Wireless Subwoofer

Your sound bar includes a wireless subwoofer for an easy integration into any home environment. Your wireless subwoofer is connected to your sound bar through 2.4G wireless.

Placement of your Subwoofer

Before set up and to ensure a stable and strong wireless connection between your subwoofer and sound bar please keep your subwoofer within 5-6 metres of your sound bar. Please ensure there is no large obstacles such as walls between your sound bar and subwoofer.

Connecting your Subwoofer

1. Plug the power lead of the subwoofer into your nearest power outlet.
2. Important: Subwoofer will only work when sound bar is on and wireless connection is established.
3. The LED indicator at the rear of the subwoofer will flash BLUE to indicate a connection search. The search and connection to the sound bar will happen AUTOMATICALLY.
4. Once a connection between the Subwoofer and sound bar is established the LED indicator will remain SOLID blue.

5. To disconnect the subwoofer from the sound bar press and hold the pair button.

Note: The subwoofer enters standby mode automatically when sound bar is turned off. The subwoofer turns on automatically when the sound bar is turned on and wireless transmission is activated.

Making an Optical Connection

To make an OPTICAL connection between your Linden Sound bar and selected device please follow the below instructions:

1. Using an OPTICAL to OPTICAL cable, insert one end into the Optical input on the rear panel of the sound bar. Insert the other end of the optical cable to your selected optical audio output on your television.
2. Press the OPTICAL button on your remote control or repeatedly press the Source button on the end cap of sound bar to find and select 'OPT'.

Making an AUX (L/R) Connection

To make an AUX (L/R) connection between your Linden Sound Bar and selected device please follow the below instructions:

1. Using an AUX L/R cable insert a one end into the AUX L/R cable input on the rear panel of the sound bar. Insert the other end of the AUX L/R cable to your selected audio output on your television.
2. Press the AUX/LINE button on your remote control or repeatedly press the source button on the end cap of sound bar to find and select 'A.IN'

Making a USB Connection

The Linden sound bar is equipped with a USB input for Media Playback. Your selected USB device must have media stored and accessible to enable playback.

IMPORTANT: This port is NOT intended for charging.

1. Using an appropriate USB device insert it into the USB port on the end cap of the sound bar
2. Press the USB button on your remote control or repeatedly press the source button on the end cap of sound bar to find and select 'USB'
3. The Linden sound bar is compatible to playback MP3 and WMA Audio files. The USB drive must be formatted using fat16/fat32 file system.
4. Play / Pause / Next / Previous button are active in USB mode

Making a Bluetooth Connection

To make a wireless Bluetooth connection between your device and your Linden Sound bar please follow the below instructions:

1. Activate the Bluetooth function on your desired device. This may be on your mobile phone, smart phone, tablet, computer or other Bluetooth enabled device.
2. Once activated, press the BT button on your remote control or repeatedly press the source button on the end cap of sound bar to find and select 'BT' .
3. When in pairing mode, 'BT' will flash on the display screen.
4. Enter the Bluetooth settings on your selected device to search and select 'LINDEN-L21WSB17'
Note: If your device requests a pairing code please enter '0000'.
5. Once the pairing is successful, 'BT' will remain steady on the display screen.
6. In Bluetooth mode, Play/Pause/Next and Previous functions are active on your remote control.

Tips: Volume controls can be controlled on connected device and/or speaker.

Ensure volume is at a suitable volume on either device and/or speaker.

Note: Pairing time is varied between different devices. If you have paired to a device; it will automatically pair again when turned on and off.

Making a LINE IN Connection

To make an LINE IN (3.5mm) connection between your device and your Linden Sound Bar follow the below instructions:

1. Using a 3.5mm to 3.5mm cable insert one end into the 'LINE IN' input. Insert the other end of the 3.5mm AUX cable to your selected audio output 3.5mm jack.

Note: The alternative 3.5mm LINE IN must be an audio output socket

2. Press the AUX/LINE IN button on your remote control or repeatedly press the source button on the end cap of sound bar to find and select 'LINE'

Troubleshooting

If you experience a problem with your Linden Sound bar please refer to the troubleshooting table below. If your unable to resolve your problem please contact customer care for further advice.

Cannot Locate Linden Sound bar in Bluetooth Settings

- Ensure your sound bar is set to Bluetooth mode and is flashing BT on the display
- Ensure your sound bar is within effective working range; your sound bar must be within 8 metres of your selected device
- Turn your Bluetooth on and off on your selected device, disconnect any devices that may have existing connections with your device

Sound bar is working but my subwoofer will not connect

- Ensure your subwoofer is within effective working range; your subwoofer must be within 5-6 metres of your selected device. There should be no major obstacles such as a wall between your subwoofer and sound bar.
- Reset the subwoofer by pressing the Pair button to re-boot the connection
- Disconnect and re-connect the power at the power outlet

Optical / AUX or LINE IN connection is not working

- Ensure the cable be used is undamaged and in full working order
- Ensure all connections are firmly in place
- Ensure the volume on the connected device has been adjusted. Increase the volume to test the volume level.

Connected a USB device but it wont playback my file

- Ensure the USB device is properly inserted into the USB port
- Please check the file format of your media. Supported files include MP3 and WMA Audio files. The USB drive must be formatted using fat16/fat32 file system.

Technical Specifications

Product Dimensions	Sound Bar: 880 x 55 x 85 mm Subwoofer: 290 x 200 x 230 mm
Power Input	Sound Bar: AC 100-240V~ 50-60Hz Subwoofer: AC 100-240V~ 50-60Hz
Maximum Power Output	Sound Bar: 40W (2 x 20W) Subwoofer: 40W
USB Media Support	MP3, WMA
Product Inputs	Optical, LINE IN, AUX (L/R), USB
Wireless Connectivity	Bluetooth
Operating Environment	-10°C ~+35°C
Remote Control Battery	AAA x 1



LINDEN

Distributed by:
M.E.W. (Australia) Pty Ltd,
15 Vaughan St, Essendon Fields, VIC 3041
ACN 152 719 036
Customer care: Aus-1300 530 800
customer care@lindenproducts.com.au
lindenproducts.com.au

While every effort has been made in the preparation of this instruction manual, the publishers cannot be held responsible for the accuracy of the information contained herein or any consequences arising from it.



E2284

